

KeContact P30

OCPP



UDP



MODBUS

Specifications

Output:	7,4 kW / 11 kW / 22 kW
Energy meter (LED display):	Optional
OCPP backend:	Optional
Local load management:	Master/Client
Current monitoring:	Depending on the charging cable sizing
Communication protocol:	UDP / Modbus TCP
External meter (integration through Modbus):	Optional
Color variants:	<ul style="list-style-type: none">• RAL 7004 (signal gray) / RAL 7016 (anthracite gray)• RAL 9010 (pure white) / RAL 7016 (anthracite gray)• RAL 9005 (jet black) / RAL 7016 (anthracite gray)

General



Charge mode:	Mode 3 in accordance with IEC 61851-1 AC charging
Overvoltage category:	III in accordance with EN 60664
Protection class:	I
protection type:	IP54
Protection against mechanical impact:	IK10
Rated short-time withstand current:	< 10 kA (effective value in accordance with EN 61439-1)
Residual direct current detecting device (RDC-DD):	> 6 mA (characteristic in accordance with IEC 62955, < 10 s)
Ventilation:	If ventilation is requested by the vehicle, charging will not be started.

Power supply

Power consumption a-series/b-series, c-series



Rated supply voltage (Europe):	3 x 230 V / 400 V
Internal consumption:	Idling: 3 W, plugged in: 4.5 W, charging: 6.5 W
Rated current (configurable):	10 A / 13 A / 16 A / 20 A / 25 A / 32 A 1-phase or 3-phase
Line frequency:	50 Hz
Mains forms:	TT / TN / IT

Power consumption x-series



Rated supply voltage (Europe):	3 x 230 V / 400 V
Internal consumption:	Idling: 4 W, plugged in: 5 W, charging: 7 W
Rated current (configurable):	10 A / 13 A / 16 A / 20 A / 25 A / 32 A 1-phase or 3-phase
Line frequency:	50 Hz
Mains forms:	TT / TN / IT

KeContact P30

Supply terminals

Type:	Spring-type terminal
Cable feed:	Top (surface), back side (flush)
Connection cross-section of the supply:	Minimum cross-section (depending on the cable and the type of installation)
• 16 A rated current:	5 x 2.5 mm ²
• 32 A nominal current:	5 x 6.0 mm ²
Cross section (cable):	0.2 – 10 mm ²
AWG:	24 – 6
Stripping length:	12 mm
Temperature rating:	105 °C

Socket / cable

Socket variants:	<ul style="list-style-type: none">• Type 2 standard socket: 32 A / 400 V AC in accordance with EN 62196-1 and VDE-AR-E 2623-2-2• Type 2 standard socket: 32 A / 400 V AC in accordance with EN 62196-1 and VDE-AR-E 2623-2-2 with Shutter
Cable versions: (For rating, see type plate on the cable)	<ul style="list-style-type: none">• Type 1 cable: up to 32 A / 230 V AC in accordance with EN 62196-1 and SAE-J1772• Type 2 cable: up to 32 A / 400 V AC in accordance with EN 62196-1 and VDE-AR-E 2623-2-2

Ambient conditions



Use:	Inside and outside area
Access limitations at set-up location:	Limited and unlimited access
Installation (stationary):	On the wall or on a floor-mounted column.
Operating temperature:	
• 16 A:	-25 °C to +50 °C (without direct sunlight)
• 32 A:	-25 °C to +40 °C (without direct sunlight)
Storage temperature:	-25 °C to +80 °C
Relative air humidity:	5 % to 95 % (non condensing)
Altitude:	max. 2000 m above sea level
Rate of temperature change:	max. 0.5 °C / min
Temperature behavior:	Automatic power reduction if overheating occurs

Interfaces



Ethernet interface

Ethernet1:	LSA+® terminals
Data transfer rate:	10/100 Mbit/s
Ethernet2:	RJ45 (for debug)



USB interface

Type:	A, USB 2.0 (Hi-Speed)
-------	-----------------------

KeContact P30

Max. output power: 500 mA

Enable input

Type:	External, potential-free switch contact
Type of terminal:	Spring-type terminal
Cross section:	0.08 – 4 mm ²
AWG:	28 – 12
Stripping length:	8 mm

Switch contact output

Type:	External safety extra-low voltage, < 50 V AC (50/60 Hz), ≤ 24 V DC
Required current limitation:	< 0.5 A
Terminal type:	Spring-type terminal
Cross section:	0.08 – 4 mm ²
AWG:	28 – 12
Stripping length:	8 mm

Optional equipment



4G/LTE mobile network communication

Supported bands:	4G with fallback to 3G/2G <ul style="list-style-type: none">LTE (4G) Bands: 1, 3, 8, 20, 28UMTS/HSPA+ (3G) Bands: 1, 8GSM/GPRS/Edge (2G) Dual-band
Max. data rate:	LTE CAT 1 Download: 10.2 Mbps* Upload: 5.2 Mbps* *Depends on external influences
SIM card:	SIM card with 4G authentication Size: Mini-Sim (2FF) Type: Industrial/M2M recommended



3G/UMTS mobile network communication

Supported bands:	<ul style="list-style-type: none">UMTS/HSPA+ (3G) Bands: 1, 8GSM/GPRS/Edge (2G) Dual-band
Max. data rate:	230 kbps on the data channel
SIM card:	Size: Mini-Sim (2FF) Type: Industrial/M2M recommended



RFID card

Type:	MIFARE card / tag according to ISO 14443 or ISO 15693
-------	---



WLAN / Wifi

Type:	IEEE 802.11 b,g,n, 2.4 GHz
Supported modes:	AP Ad-hoc-Mode, Client Mode

KeContact P30



Z.E.
Ready

E.V.
Ready

Certifications*

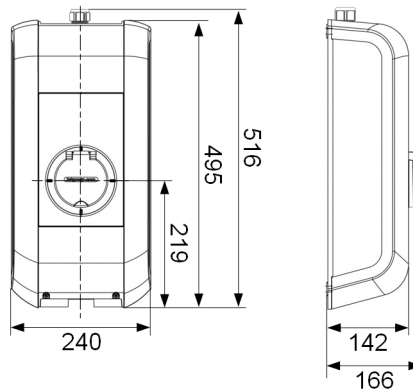
CE Declaration of Conformity:	Yes
MID:	Optional
• Accuracy class:	Class B (according to EN 50470-1 / -3)
National regulations:	Optional: National authorization
Z.E. Ready:	Optional
E.V. Ready:	Optional

* Information about the certifications can be downloaded from the KEBA website:
www.keba.com/emobility-downloads

Dimensions and weight

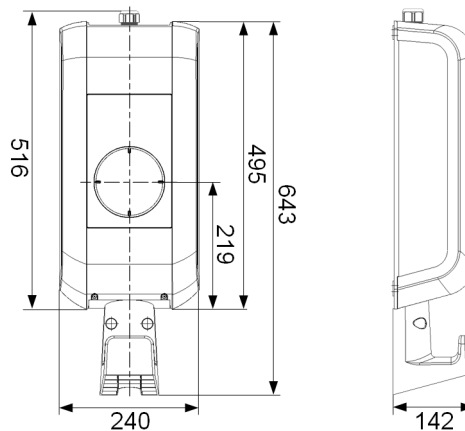
Version with standard socket (Type 2)

Height / Width / Depth:	516 mm / 240 mm / 166 mm
Weight:	Approx. 4.8 - 5 kg (depending on device version)



Version with charging cable and holder

Height / Width / Depth:	643 mm / 240 mm / 142 mm
Weight:	Approx. 5.3 - 7.8 kg (depending on device version)



Note

This data sheet lists various design options for the charging station. The actual design of the charging station depends on the variant.

KeContact P30