

5.4 Dimensions

Version with standard socket (Type 2)

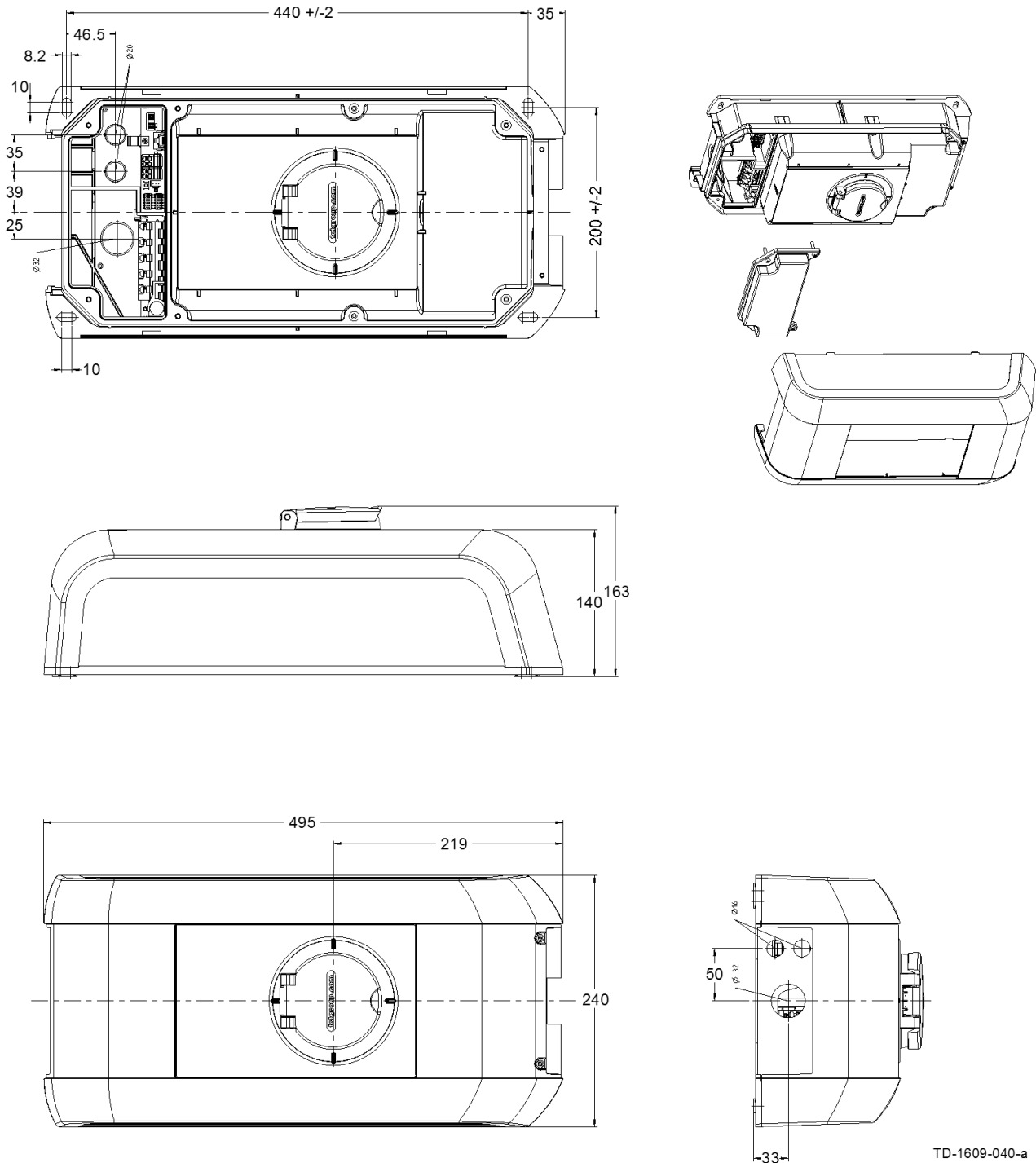


Figure 5-1: Dimensions in millimeters

